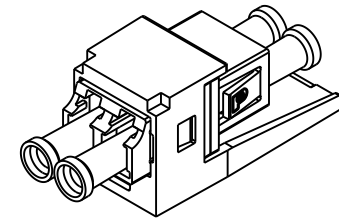
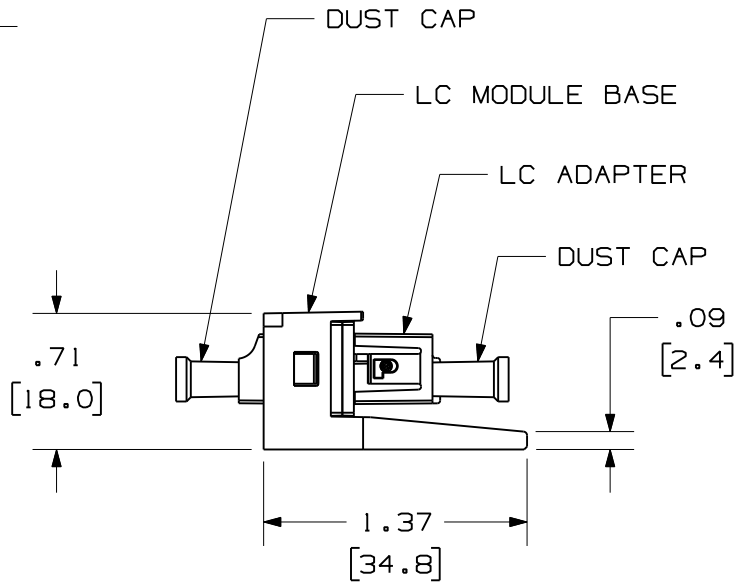
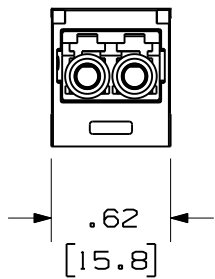
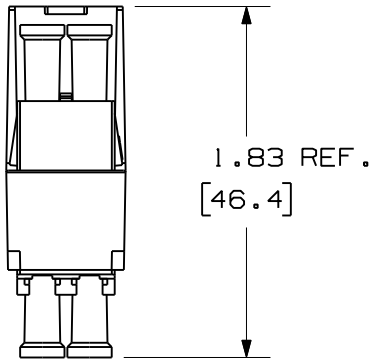


THIS COPY IS PROVIDED ON A RESTRICTED BASIS AND IS NOT TO BE USED IN ANY WAY DETRIMENTAL TO THE INTERESTS OF PANDUIT CORP.



PANDUIT P/N	WEIGHT	SPLIT SLEEVE TYPE
CMDJLC**	.10 lbs/10 Pcs	PHOS BRONZE
CMDJAQLC**	[44.1 g/10 Pcs]	
CMDJLCZ**	.10 lbs/10 Pcs	ZIRCONIA
CMDJAQLCZ**	[43.7 g/10 Pcs]	

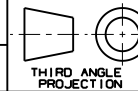
NOTES:

1. SEE CURRENT CATALOG FOR PART NUMBER SUFFIXES TO INDICATE COLOR OF MODULE BASE, AND/OR PACKAGE QUANTITIES.
2. SEE CATALOG FOR COMPLETE LIST OF PARTS APPLICABLE FOR USE WITH THIS PART.
3. MATERIALS:
 - a. MODULE BASE: ABS
 - b. ADAPTER HOUSING: PLASTIC
 - c. SPLIT SLEEVE: SEE TABLE
 - d. DUST CAP: PLASTIC
4. COMPATIBLE WITH TIA/EIA-604-10 (FOCIS-10) AND TIA/EIA-568B.3
5. DIMENSIONS IN BRACKETS ARE METRIC [mm]

MINI-COM LC SENIOR/JUNIOR
 DUPLEX FIBER OPTIC ADAPTER MODULE
 CUSTOMER DRAWING



PANDUIT™
 CORP.
 TINLEY PARK, ILL 60477



ALL DIMENSIONS ARE GIVEN IN INCHES,
 UNLESS OTHERWISE SPECIFIED,
 DIMENSIONAL TOLERANCES ARE:
 (.X) (.XXX) ± .010 (.0.3)
 (.XX) ± .03 (.0.8) ANGLES

DRAWING FILENAME
 M00948AK_DC_00B.prnt

SCALE
 NONE

DRAWN BY
 MC

REVIEW DRAWING NUMBERS

PART NO.
 SEE TABLE

DATE
 06-26-03

SEE NOTES

DRAWING NO.
 00948-18

SIZE
 A

CHK'D
 KWR

REV	DATE	BY	CHK	DESCRIPTION	ECN	R	CUST	SUP	OTH
1	03-11-05	MC		RELEASED TO PRODUCTION	00948-18				